

# LIVE

## LW 165 C

### Woofer

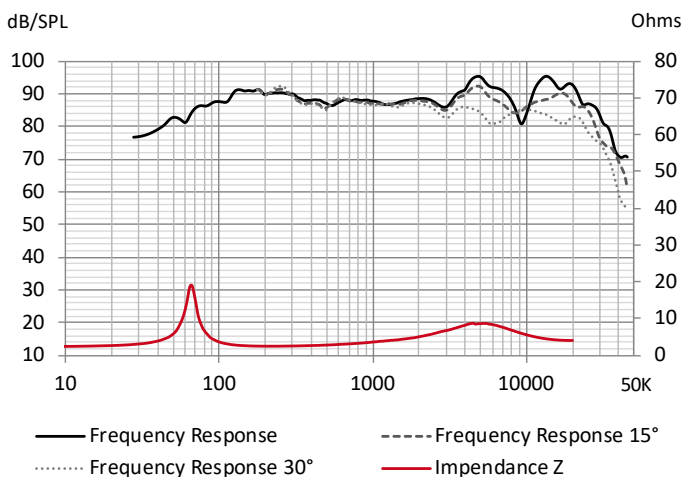
- Woofer 6-1/2" (165 mm)
- Max power 140 W / Nom. power 70 W
- Frequency response 55 Hz - 25 KHz
- Impedance 2 Ohms

Machined cast aluminium basket - Epoxy resin and glass fiber cone - Butyl rubber surround - Long life "Conex" damper - 28 mm (1.1") voice coil with kapton former - 80 mm x 15 mm (3.1" x 0.6") motor assembly - Thick magnetic circuit (5 mm).

#### TECHNICAL SPECIFICATIONS

<b>Component</b>	Woofer	
<b>Max power</b>	140 W	
<b>Nominal power</b>	70 W	
<b>Impedance</b>	2 Ω	
<b>Freq. Response</b>	55 Hz - 25 KHz	
<b>Sensitivity (2,83V/1m)</b>	93.2 dB	
<b>Magnet</b>	Ferrite	
<b>Magnet size Ø x h</b>	80 x 15 mm	3.150 "x 0.591 "
<b>Total driver displacement</b>	0.3 l	0.011 cf
<b>Weight of one component</b>	0.95 kg	2.103 lb
<b>Voice coil Ø</b>	28 mm	1.102"
<b>Voice coil height</b>	11 mm	0.433"
<b>Cone</b>	Glass fiber	

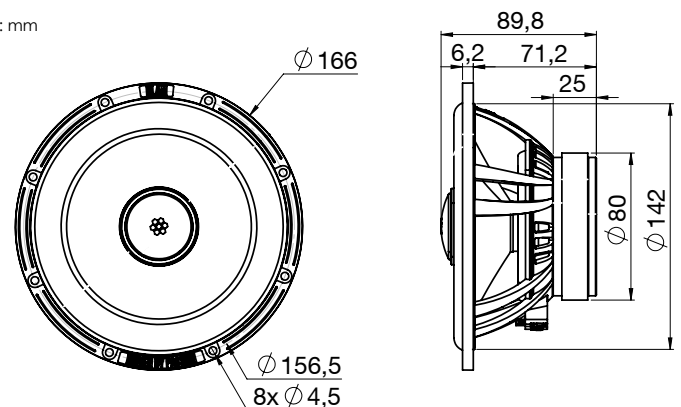
#### FREQUENCY RESPONSE / IMPEDANCE



Guy Bonneville  
**BLAM**  
DRIVEN BY PASSION



Unit : mm



#### THIELE-SMALL PARAMETERS

<b>effective Ø (d)</b>	10 mm
<b>Sd</b>	132.73 cm <sup>2</sup>
<b>Xmax</b>	3 mm
<b>Re</b>	2 Ω
<b>Fs</b>	65.85 Hz
<b>Le</b>	10.07 µH @ 1 kHz
<b>Le</b>	25974.02 µH @10 kHz
<b>Vas</b>	8.89 L
<b>Mms</b>	16.25 g
<b>Cms</b>	0.000359 m/N
<b>BL</b>	4.21 Tm
<b>Qts</b>	0.68
<b>Qes</b>	0.76
<b>Qms</b>	6.45
<b>Sensitivity (dB/W/m)</b>	87.2 dB

contact@blam-audio.fr  
www.facebook.com/blamaudio  
www.blam-audio.com