

# LIVE

Guy Bonneville  
**BLAM**  
DRIVEN BY PASSION

## LSP 20

### Subwoofer

200 mm (8") subwoofer  
Dual voice coil

- Max. power 500 W / Nominal Power 250 W
- Frequency response 35 Hz - 500 Hz
- Sensitivity 87 dB
- Impedance 4  $\Omega$  (2 x 2  $\Omega$ )

Steel basket - Injected polypropylene cone - Foam surround - Long life "conex" damper - 50 mm (2") dual voice coil on aluminium former - Dual 120 mm x 20 mm (4.7" x 0.8") motor assembly - Extended T yoke.

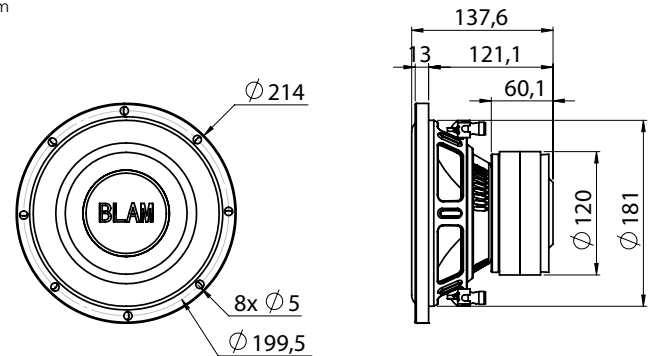
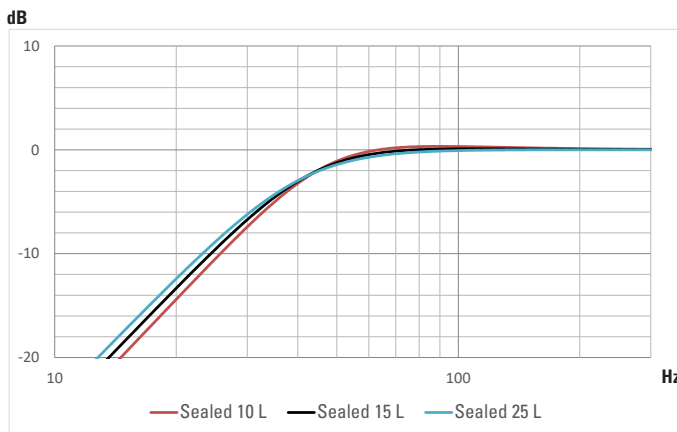


Unit : mm

#### TECHNICAL SPECIFICATIONS

|   |                 |                 |
|---|-----------------|-----------------|
| <b>Component</b>                                | Subwoofer       |                 |
| <b>Max power</b>                                | 500 W           |                 |
| <b>Nominal power</b>                            | 250 W           |                 |
| <b>Impedance</b>                                | 2 x 2 $\Omega$  |                 |
| <b>Freq. Response</b>                           | 35 - 500 Hz     |                 |
| <b>Sensitivity (2,83V/1m)</b>                   | 87 dB           |                 |
| <b>Magnet</b>                                   | Ferrite         |                 |
| <b>Magnet size <math>\varnothing</math> x h</b> | 2 x 120 x 20 mm | 4.724" x 0.787" |
| <b>Total driver displacement</b>                | 1 l             | 0.035 cf        |
| <b>Weight of one component</b>                  | 3.9 kg          | 8.598 lb        |
| <b>Voice coil <math>\varnothing</math></b>      | 50 mm           | 1.969"          |
| <b>Voice coil height</b>                        | 33.4 mm         | 1.315"          |
| <b>Cone</b>                                     | Textured PP     |                 |

#### FREQUENCY RESPONSE / IMPEDANCE



#### THIELE-SMALL PARAMETERS

|   |                        |
|---|------------------------|
| <b>effective <math>\varnothing</math> (d)</b> | 165 mm                 |
| <b>Sd</b>                                     | 213.82 cm <sup>2</sup> |
| <b>Xmax</b>                                   | 13 mm                  |
| <b>Re</b>                                     | 1.1 $\Omega$           |
| <b>Fs</b>                                     | 35.56 Hz               |
| <b>Le</b>                                     | 256.06 $\mu$ H @ 1 kHz |
| <b>Le</b>                                     | 717.32 $\mu$ H @10 kHz |
| <b>Vas</b>                                    | 7.21 L                 |
| <b>Mms</b>                                    | 178.39 g               |
| <b>Cms</b>                                    | 0.000112 m/N           |
| <b>BL</b>                                     | 7.96 Tm                |
| <b>Qts</b>                                    | 0.64                   |
| <b>Qes</b>                                    | 0.71                   |
| <b>Qms</b>                                    | 6.54                   |
| <b>Sensitivity (dB/W/m)</b>                   | 78.05 dB               |

#### RECOMMENDED ENCLOSURES

| Internal volume Vb | F-3dB | Boost            |
|--------------------|-------|------------------|
| 10 L               | 41 Hz | 0.3 dB at 90 Hz  |
| 15 L               | 41 Hz | 0.1 dB at 110 Hz |
| 25 L               | 40 Hz | no boost         |

contact@blam-audio.fr  
www.facebook.com/blamaudio  
www.blam-audio.com