

RELAX

BLAM

FRENCH SOUND

Driven by passion.

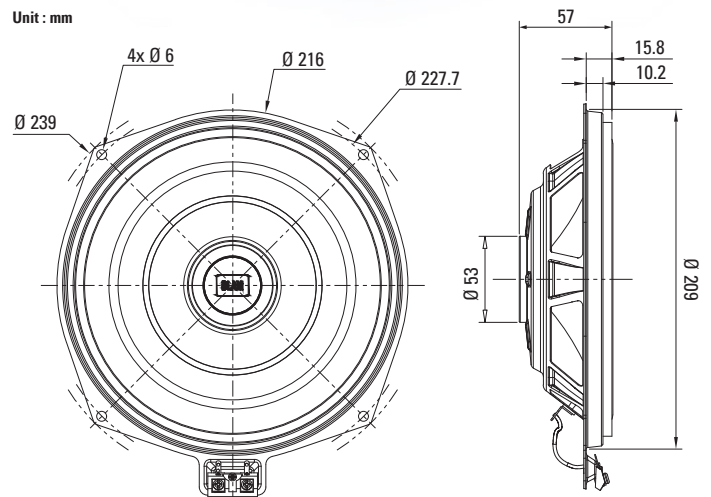
BM 200 WN

Speaker

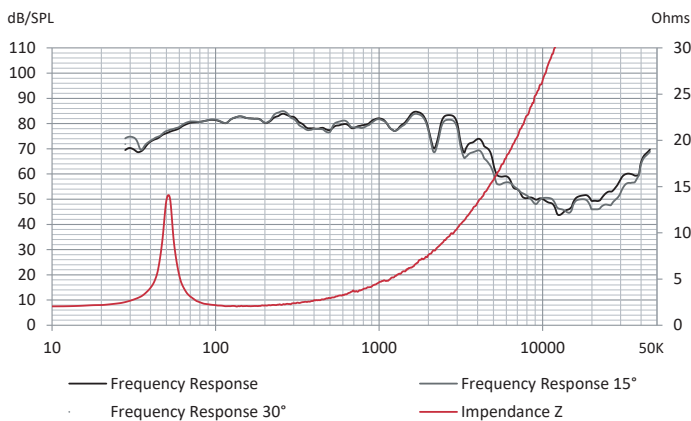
- 200 mm 8" extra flat underseat subwoofer for BMW
- Max. power 120 W - RMS Power: 60 W
- Frequency response: 40 Hz - 1 kHz
- Impedance 2 Ω

TECHNICAL SPECIFICATIONS

Component	Speaker
Max power	120 W
Nominal power	60 W
Impedance	2 Ω
Freq. Response	40 Hz - 1 kHz
Sensitivity (2,83V/1m)	91 dB
Magnet	Neodymium
Magnet size \varnothing x h	34.5 x 7 mm 1.358" x 0.276"
Total driver displacement	0.6 l 0.021 cf
Weight of one component	0.52 kg 1.146 lb
Voice coil \varnothing	35 mm 1.378"
Voice coil height	10 mm 0.394"
Cone	Fiberglass



FREQUENCY RESPONSE / IMPEDANCE



THIELE-SMALL PARAMETERS

effective \varnothing (d)	167 mm
Sd	219.04 cm ²
Xmax	2 mm
Re	2.0 Ω
Fs	51.71 Hz
Le	236.69 μ H @ 1 kHz
L2	385.02 μ H @ 10 kHz
Vas	17.75 L
Mms	35.96 g
Cms	0.263413 m/N
BL	4.31 Tm
Qts	1.08
Qes	1.26
Qms	7.53
Sensitivity (dB/ W / m)	85 dB

contact@blam-audio.fr
www.facebook.com/blamaudio
www.blam-audio.com